

# 32MM CONNECTA-RAIL

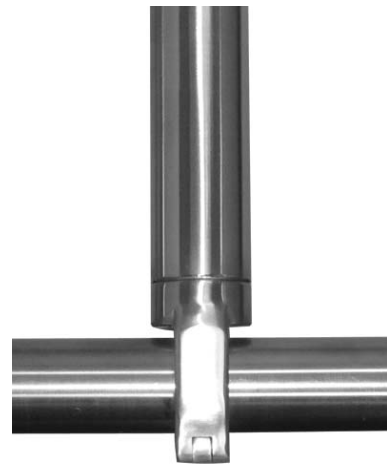
## Vertical Shower Grabrail

The Connecta-rail was designed so that the vertical shower grabrail can be placed in a position of choice, making the installation process a lot less cumbersome for the builder. Used with corner shower grabrail, straight horizontal grabrail and many other applications where a perpendicular rail is required.

- Features:**
- Easy to attach to grabrail
  - Universally suitable for left hand or right hand installation
  - No Sharp Edges - User friendly
  - Easier to transport
  - Manufactured using 304 grade Stainless Steel
- Registered Design No 14407/2012

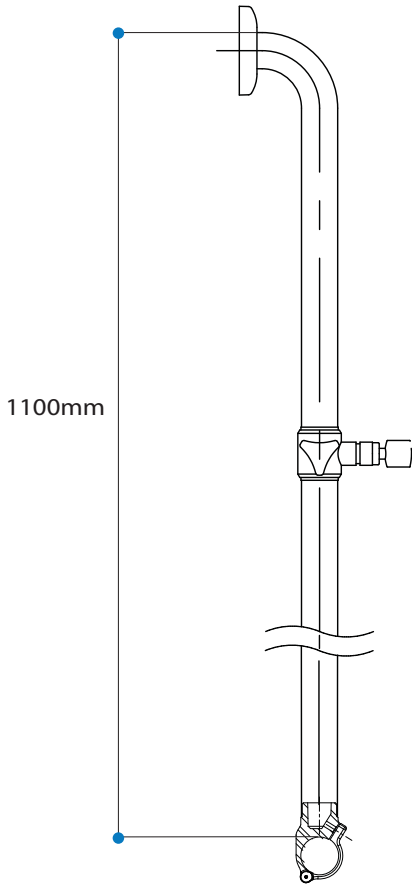


VERTICAL SHOWER GRABRAIL		TYPE S10
Code	Description	
EGS10.SCC	Vertical Shower Grabrail with Connecta	

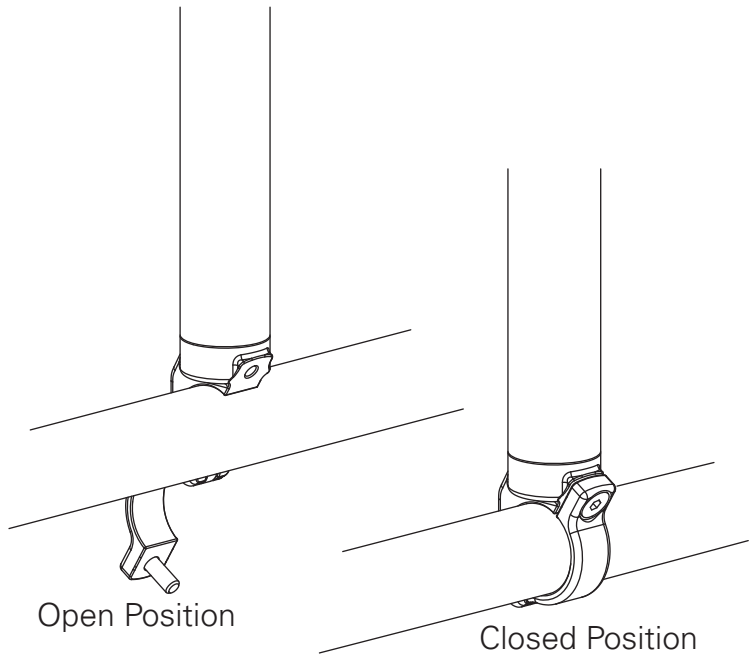


# 32MM CONNECTA-RAIL

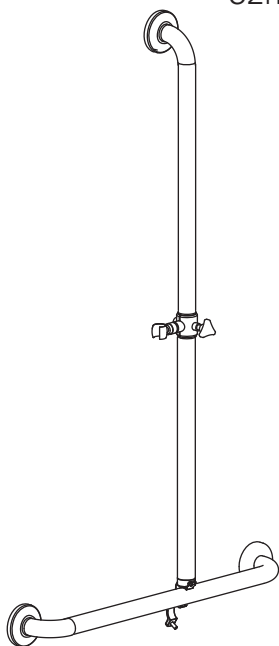
## Vertical Shower Grabrail



Easy to install.



The connecta rail can be fitted to most horizontal 32mm Shower Grab rails



Determine your preferred position for the Connecta- Rail.

